



PORTABLE CORRAL KIT INSTALLATION INSTRUCTIONS

The Power Wizard Portable Corral Kit features the PW350B Electric Fence Energizer. This battery-operated energizer is capable of powering about 35 acres of properly installed fence, provided an adequate ground system is installed.

All of the components necessary to build your Power Wizard Portable Corral are included in this kit, except the following:

THINGS YOU WILL NEED

- Rubber mallet or a hammer
- Four D-cell alkaline batteries for the Power Wizard PW350B Electric Fence Energizer OR one 6 or 12V external battery

Table of Contents

CONSTRUCTION

Posts	2
Fence Wire.....	2
Ground Connections	2
Fence Energizer Operation.....	3

INSTALLATION OF

POWER WIZARD PORTABLE CORRAL KIT	3-8
----------------------------------------	-----

ANIMAL TRAINING	8
-----------------------	---

USING OTHER SUITABLE MATERIALS	8
--------------------------------------	---

ENERGIZER INSTRUCTIONS.....	9-14
-----------------------------	------

TROUBLESHOOTING	14
-----------------------	----

WARRANTY	15
----------------	----

WARRANTY CLAIMS.....	15
----------------------	----

CONTENTS OF THIS KIT	16
----------------------------	----

CONSTRUCTION

Posts

Care must be taken to locate the posts in such a manner that when wire is strung from post to post, it will not touch any green growth or the shock will be reduced.

Fence Wire

Suitable wire for your portable corral is the polywire that has been included with this kit. It is Power Wizard's highly conductive 3 strand polywire, which features a mixture of tinned copper and stainless steel conductors, twisted in a special UV protected polyethylene-weave.

Ground Connections

The effectiveness of an electric fence is reliant on the proper installation of the ground system. The ground rod, which also holds the energizer, is a 24" metal rod, which is included in this kit. The ground rod should be driven into moist ground as far as possible.

If the soil is very dry or sandy, the current traveling through the animal and back to the ground system may limit the effectiveness of the corral. Pouring a good amount of water around the ground rod can help in dry soil conditions.

The best method of correcting for poor soil conditions is to string another fence wire all the way around, above or below the hot wire, depending on your animal's height. This kit contains the extra material to add this ground wire when needed. **Do NOT allow this wire to accidentally touch any of the charged wires or there will be no shock.**

Using this method allows the animal to receive a shock when it touches BOTH the ground AND any of the charged wires. It effectively increases the shock capability of the fence, since the animal will be grounded in TWO ways – through the soil (even if it conducts only slightly) – and through the additional ground wire.

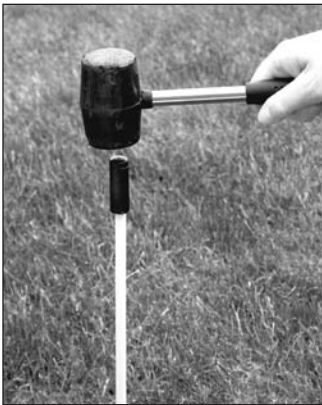
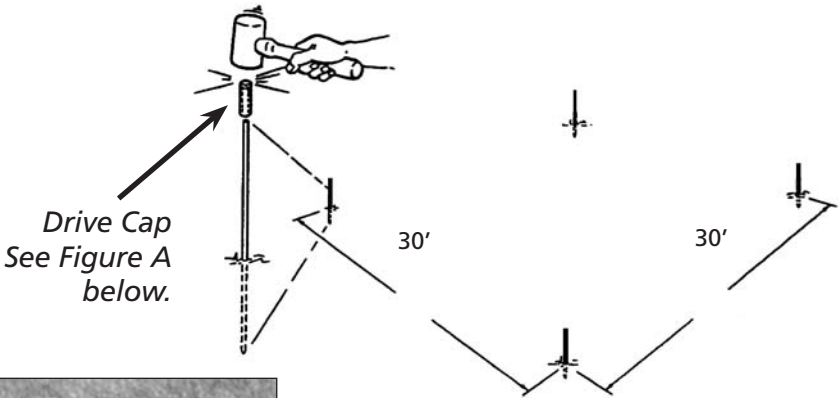
Fence Energizer Operation

See Page 9-13 for detailed instructions on connecting the Power Wizard PW350B Electric Fence Energizer to your Power Wizard Portable Corral Kit.

INSTALLATION

STEP 1

Drive one pointed rod 8" to 12" into the ground at each corner, approximately 30 feet apart, using the included drive cap to prevent splintering. Enough polywire is supplied to build a 30-foot square, 2 strand corral.



*Figure A.
Drive cap, fiberglass post
and rubber mallet.*

A round corral is preferred by many horse enthusiasts. See Step 4 on Page 6 for an illustration of this configuration.

STEP 2

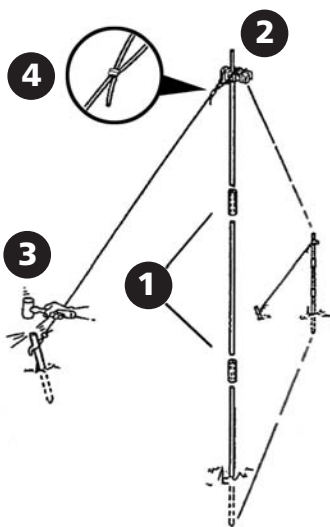
Attach 2 blunt rods with connectors* to complete corner posts. **1**

Attach screw-tight insulators at desired height. **2**

Tighten securely. Height will be determined by the animals you are putting in the corral.

Drive tie-down stake at corners with drive cap.

Tie cord to stake and hammer stake into ground. **3** At the other end of the cord, make a loop and knot and loop over top of posts as shown. **4** See Figure B.



*NOTE:
Twist rods
to fit into
connectors
properly.



Figure B.
Cord looped
over stake.



Figure C.
Posts
connected by
ferrules
(connectors).

A round corral may not need any tie-down stakes. See Step 4 on Page 6 for an illustration.

STEP 3

If a gate opening is desired, install another post where you choose to have the gate opening. **5**

Attach a 3-hole activator plate at desired height as shown. Use rubber stops to keep activator plate stationary. **6**

Tie polywire to activator plate and stretch your wire around the perimeter of the corral, attaching to the insulators. **7**

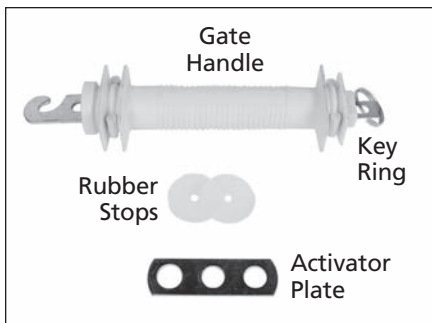
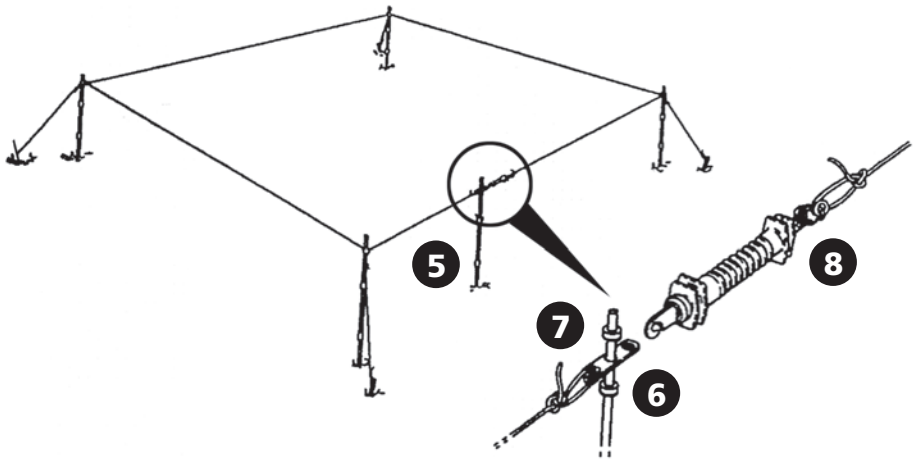


Figure D. Gate components.



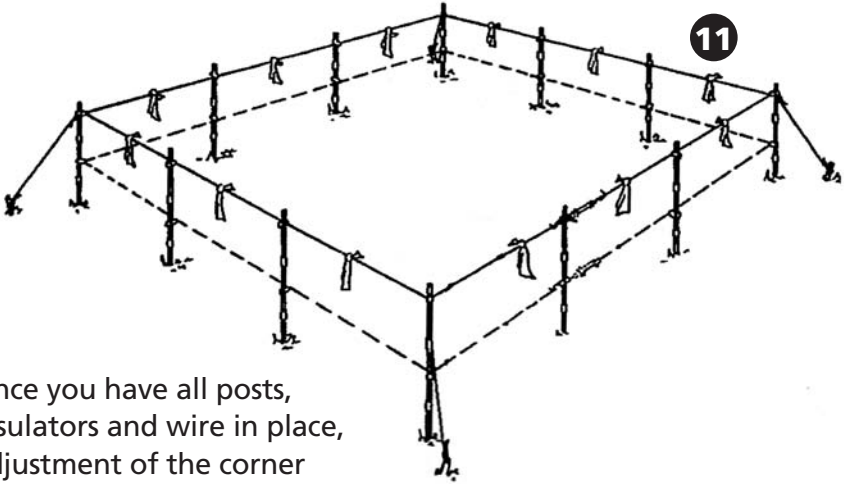
Figure E. Gate assembly.

Attach the key ring to the gate hook as shown. Pull polywire snug and tie securely. **8**

The key ring is used to prevent damage to the polywire. The top "hot" wire is now complete.

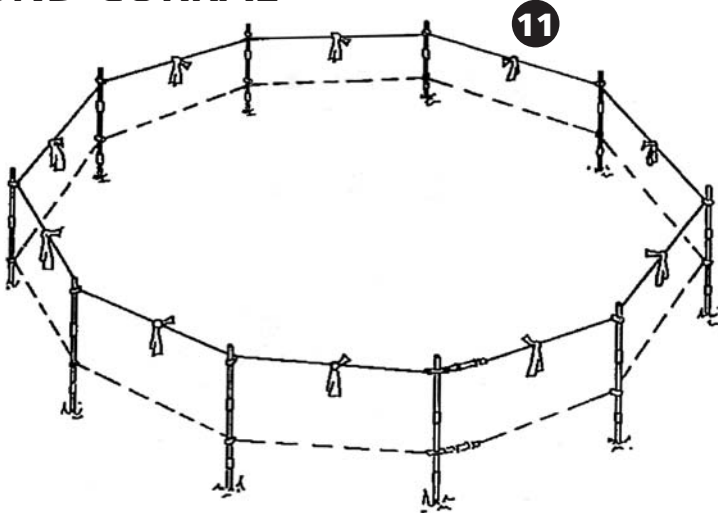
STEP 4

Install the balance of the line posts and attach insulators and wire. Insulators should be placed so that the wire will be toward the inside of the corral.



Once you have all posts, insulators and wire in place, adjustment of the corner tie-downs may be necessary.

ROUND CORRAL



Tie fluorescent marking tape between posts, if desired. 11

STEP 5

Drive one half of the length of the ground rod (energizer hanger) into the ground, leaving the other half above ground. Locate the ground rod outside of the corral and away from the corral and animals (see Figure G below).

Hang the Power Wizard PW350B energizer and activate according to fence energizer operation instructions (see Page 9-13).

Pour water around ground rod (if your soil conditions are very dry or sandy).

Bottom wire may be made "hot" by attaching top hot wire to the bottom wire using the included jumper wire.

DO NOT connect hot wires to the ground system.

Check fence operation with supplied tester. To test your fence: push wire probe into moist soil. Touch fence wire with brass point. Lights will indicate the peak pulse voltage.



Figure F. Energizer mounted on ground rod.

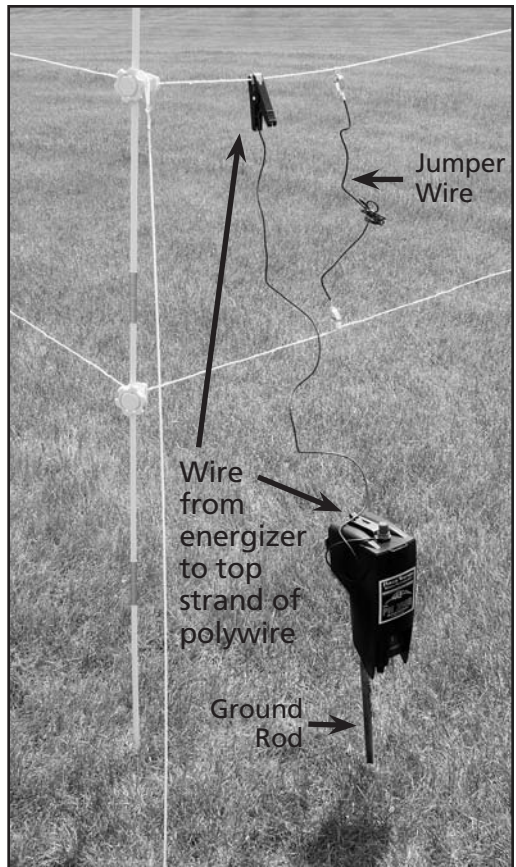


Figure G. Fence and energizer setup.

STEP 6

Animal Training

You are now ready to lead your animal to your Power Wizard Portable Corral. Walk your animal around the perimeter of the corral to familiarize the animal to the new surroundings.

It is important that an animal's first experience with an electric fence shock is one of respect or fear. Some animals require more than one shock experience for lasting respect of the fence line. Always train the animal to the fence by insuring that the animal's first approach to the fence is slow and that an effective repelling shock is experienced.

If your animal is already accustomed to similar containment, there may be less training time.

Using Other Suitable Materials with Your Power Wizard Portable Corral Kit

Suitable post materials for temporary fencing may include wood, fiberglass, metal and plastic. Note that if wooden or metal posts are used, the fence wire must be attached using plastic or porcelain electric fence insulators.

Care must be taken to locate the posts in such a manner that when the wire is strung from post to post, it will not touch any green growth or the shock will be reduced.

Suitable wire can include the lighter gauges of galvanized steel or aluminum wire, the polywire with interwoven stainless steel or aluminum strands, or the plastic highly visible tape style, also with interwoven stainless steel or aluminum strands.

If a wire splice is necessary: for best conductivity, be certain to use a reef knot when connecting two polytape wires together.



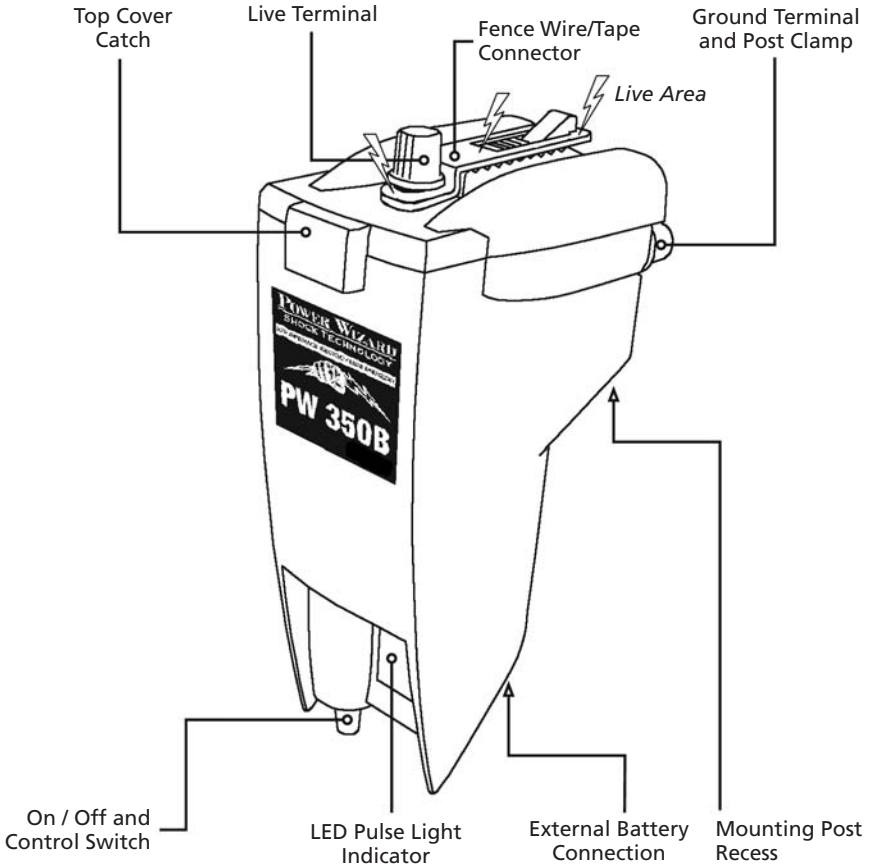
READ ALL INSTRUCTIONS



PW350B ELECTRIC FENCE ENERGIZER

High Performance Fence Energizer with 4 internal D-cell batteries or external 6-12V battery. Powers up to 35 acres or 15 miles of multi-wire overgrown fence.

WARNING
Risk of Electric Shock



SAFETY CONSIDERATIONS

IMPORTANT – READ THE FOLLOWING SAFETY CONSIDERATIONS CAREFULLY:

1. **WARNING: DO NOT CONNECT ENERGIZER SIMULTANEOUSLY TO A FENCE AND TO ANY OTHER DEVICE SUCH AS A CATTLE OR POULTRY TRAINER. OTHERWISE, LIGHTNING STRIKING YOUR FENCE WILL BE CONDUCTED TO ALL OTHER DEVICES.**
2. **CAUTION: RISK OF ELECTRIC SHOCK.** Do not install where small children, the elderly or unhealthy persons may come in contact with the live portions of electric fencing. Use electric fence warning signs wherever humans may come in contact with the fence.
3. **NEVER** electrify barbed wire or loose fencing materials that risk entanglement of a human or animal. Exposure to continuous or multiple shocks is very dangerous.
4. **STAY AWAY** from the fence energizer and from the fence line just before and during lightning storms.
5. **FOLLOW** all national, state and local regulations that may apply to installation of electric fence.
6. **REFER TO AUTHORIZED REPAIR CENTER FOR SERVICE.** There are no user serviceable parts. Never alter the design of the energizer. Doing so is hazardous and will void the warranty.
7. **NEVER** put more than one energizer on a fence. Doing so is dangerous because it may reduce time off between pulses, may damage the energizer and will invalidate the warranty.
8. **DO NOT** run fence wire above ground near high voltage power lines. If too close, the electric fence may pick up dangerous levels of power from the high voltage lines. Never cross under a high voltage line with electric fence.
9. **ALWAYS** maintain an adequate ground system securely attached to the energizer.
10. **NEVER** charge a battery that is connected to a fence energizer. Always disconnect the battery from the energizer before charging.

KEYS TO SUCCESSFUL ENERGIZER INSTALLATION

Take care of the following details and you will save many hours of labor and time.

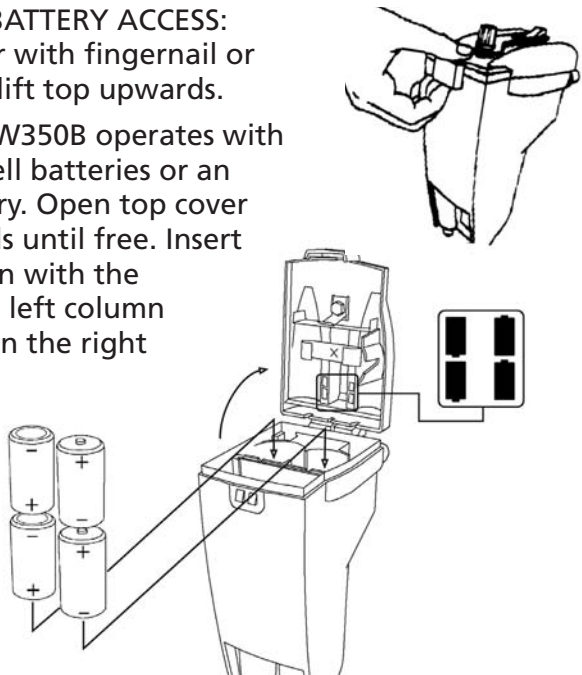
1. Use the energizer provided with this Portable Corral Kit. Using a fence energizer that is underpowered for the fence condition and application could render your fence ineffective.

2. Carefully install the ground system according to the directions included in this manual. Most electric fencing failures are due to improper grounding.
3. Take time to properly connect leadout wire, ground wire and fence line splices. This is the second most common cause of electric fence failure. Use clamps, split bolts and taps if necessary (not included with this kit). Make sure all connection surfaces are of bare shiny metal.
4. When using wire for fence and earth connections, use adequately insulated hook-up or underground wire (rated for at least 20,000 volts) for leadout wires to ground and fence and anywhere the hot wire must travel underground. Never use standard household insulated wire, which is generally rated at only 600 volts or less.
5. Maintain proper distances from buried and above ground: utility company ground rods, water pipes, metal siding and telephone wire.
6. Use an electric fence volt meter to periodically check the condition of your fence and to diagnose and repair shorts, poor connections and inadequate ground conditions.

INTERNAL BATTERY INSTALLATION

TO OPEN UNIT FOR BATTERY ACCESS:
Pull tab behind cover with fingernail or flat screwdriver and lift top upwards.

The Power Wizard PW350B operates with either 4 alkaline D-cell batteries or an external 6-12V battery. Open top cover and rotate backwards until free. Insert the 4 D-cells as shown with the + facing down in the left column and the + facing up in the right column.

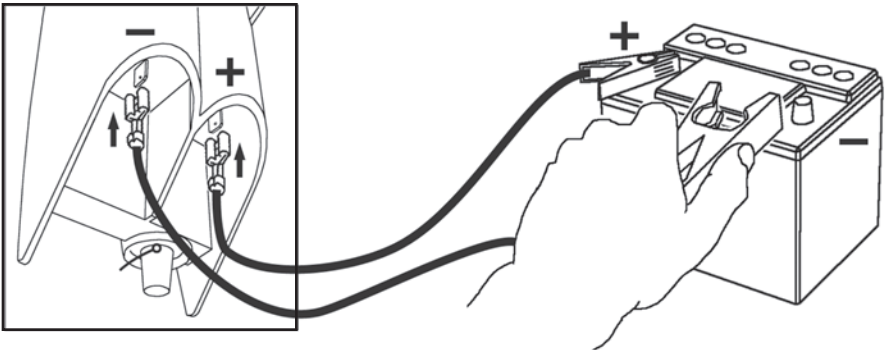


EXTERNAL BATTERY INSTALLATION

The Power Wizard PW350B is able to operate with an external 6 or 12V battery. To connect the external battery, **first turn the energizer off and remove the internal D-cells.** Connect the wires provided to the underside of the unit using flat female connectors. The + (plus) should be on the same side as the control switch and the - (minus) on the other side.

*****WARNING*****
INTERNAL BATTERIES
MUST BE REMOVED
BEFORE EXTERNAL
BATTERY IS CONNECTED.

Use the battery clips to connect to the corresponding terminal of the battery.



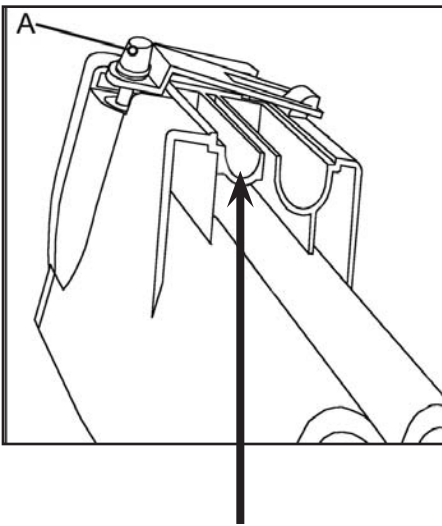
NOTE: Using an external 12V battery **WILL MORE THAN DOUBLE** the output energy of the energizer.

POST MOUNTING METHOD

The Power Wizard PW350B will be mounted to the metal ground rod (energizer hanger) included with this kit. Hang the energizer on the post using the channel located on the back left of the energizer.

Loosen the Post Clamp/Ground Terminal Knob (A) to allow the post to slide into place. Follow the guide to the right for specific post location.

Tighten the Ground Terminal Knob (A) to clamp the PW350B to the post.



*1/2 inch (10-12mm)
furnished ground rod
goes in this channel*



Figure H. Energizer attached to ground rod.

POWER WIZARD PW350B SPECIFICATIONS AND FUNCTIONS

The PW350B has an LED (light emitting diode) on the front of the unit. When the energizer is running, the On/Off knob is used to set the pulse rate and can be adjusted at any time. The LED flashes once for every pulse. If the supply voltage drops below approximately 3.1V, the LED starts to blink rapidly with weak light flashes. This indicates the battery is low.

TECHNICAL DATA

Power Source:	Internal 4 X 1.5V alkaline D-cell battery or external 6 or 12 V battery
Current Consumption:	Approx. 20-40mA depending on operating conditions
Pulse Rate:	20-60 pulses per minute (user adjustable)
Output Energy:	70-360 mJ depending on operating conditions at 500 ohms
Operating Temperature:	14 to 122°F (-10 to 50°C)

POWER WIZARD PW350B BATTERY LIFE TABLE

This table shows the *average* battery life when using 4 D-cell alkaline batteries. **NOTE:** 40 pulses per minute is a common setting.

NOTE: Battery life will be shortened at colder temperatures.

PW350B	Pulses Per Minute ²⁰				
	60	50	40	30	20
	3 weeks	4 weeks	5 weeks	6 weeks	9 weeks

TROUBLESHOOTING

If fence voltage is less than 2000V, check these before calling service:

- Check that there are batteries in the energizer and they are inserted correctly. Note the battery icons located on the inside of the top lid. (see page 11 for correct installation of batteries)
- Disconnect energizer from fence and check energizer voltage only. Voltage should be greater than 6000V. If less, batteries may be low.
- Check your ground rod installation.
- Check your connections to the energizer.
- Check your connections at the ground rod.
- Ensure that the energizer is on and flashing.

**If you are still having problems, please call
Customer Service at (800) 866-2161**

POWER WIZARD WARRANTY

30 DAY SATISFACTION GUARANTEE

AgraTronix guarantees your complete satisfaction with this Power Wizard Portable Corral Kit, including the Power Wizard PW350B Electric Fence Energizer. If you are not satisfied with this product, you can return the kit to the original place of purchase within 30 days of purchase for a full refund. Proof of purchase is required for a full refund.

LIMITED WARRANTY

AgraTronix warranties this Power Wizard Portable Corral Kit and Power Wizard PW350B Fence Energizer to the original purchaser for a period of two (2) years from the date of purchase, when installed and used in accordance with the enclosed installation instructions. You must retain your receipt for proof of purchase. This warranty covers defects in materials and workmanship for both the parts and the fence energizer. The warranty also covers damage to the energizer caused by lightning.

TERMS THAT APPLY TO BOTH THE GUARANTEE AND WARRANTY

Improper installation, misuse, neglect and tampering of any kind are NOT covered under the 30-Day Guarantee or the Limited Warranty. No warranty other than the above is express or implied. Implied warranties of merchantability and fitness for a particular application, are hereby disclaimed unless the law specifically precludes this disclaimer. The manufacturer and seller have no liability for damages, incidental or consequential, resulting from or caused by any failure, malfunction or defect of any product. The sole obligation of AgraTronix shall be limited to repair or replacement, at its option, of the defective fence energizer or part and prepaid return to the owner.

TO MAKE A WARRANTY CLAIM

1. First disconnect energizer from fence and confirm that voltage output at the energizer terminals is not normal, using an electric fence volt meter.
2. Attach a note showing your name, return address, phone number and a brief description of the problem.
3. Pack product carefully in oversized carton with crushed newspaper for cushioning.
4. Your product should be shipped prepaid and insured against shipping loss or damage.
5. Before returning products under warranty, **you must call Power Wizard at (800) 866-2161 to obtain a Return Goods Authorization number** and a shipping address for the service center that will process the return. The RGA number must be written on the outside of the carton, near the shipping label.

POWER WIZARD PORTABLE CORRAL KIT CONTENTS

1	Power Wizard PW350B Electric Fence Energizer Requires 4 alkaline D-cell batteries (not included)
12	54" Fiberglass Posts (3 pieces per post) consisting of: 12 pointed sections, 24 blunt end pieces, 25 tubular-shaped connectors (ferrules) and 1 drive cap
1	Spool of Polywire, 275 feet
25	I-15YR Screw-Tight Round Post Insulators (Yellow)
1	Jumper Wire
4	Corner Stakes and Tie-Down Cords
2	Gate Handles with Connecting Hardware (2 Activator Plates, 4 Rubber Stops and 2 Key Rings)
1	24" Ground Rod / Energizer Hanger
1	Roll of Fluorescent Flagging Tape
1	Power Wizard T-7 Five Light Fence Tester
1	Duffel Carrying Bag with D-Rings
1	Installation Instruction Manual
1	Replacement Parts Order Form



(800) 866-2161

www.powerwizardinc.com



10375 State Route 43
Streetsboro, Ohio 44241 USA
330-562-2222 • Fax 330-562-7403